



i-1 LINEAR

IP66 RGBW LED LINEAR

THE NEW STANDARD OF PERFORMANCE IN EXTERIOR GRAZING

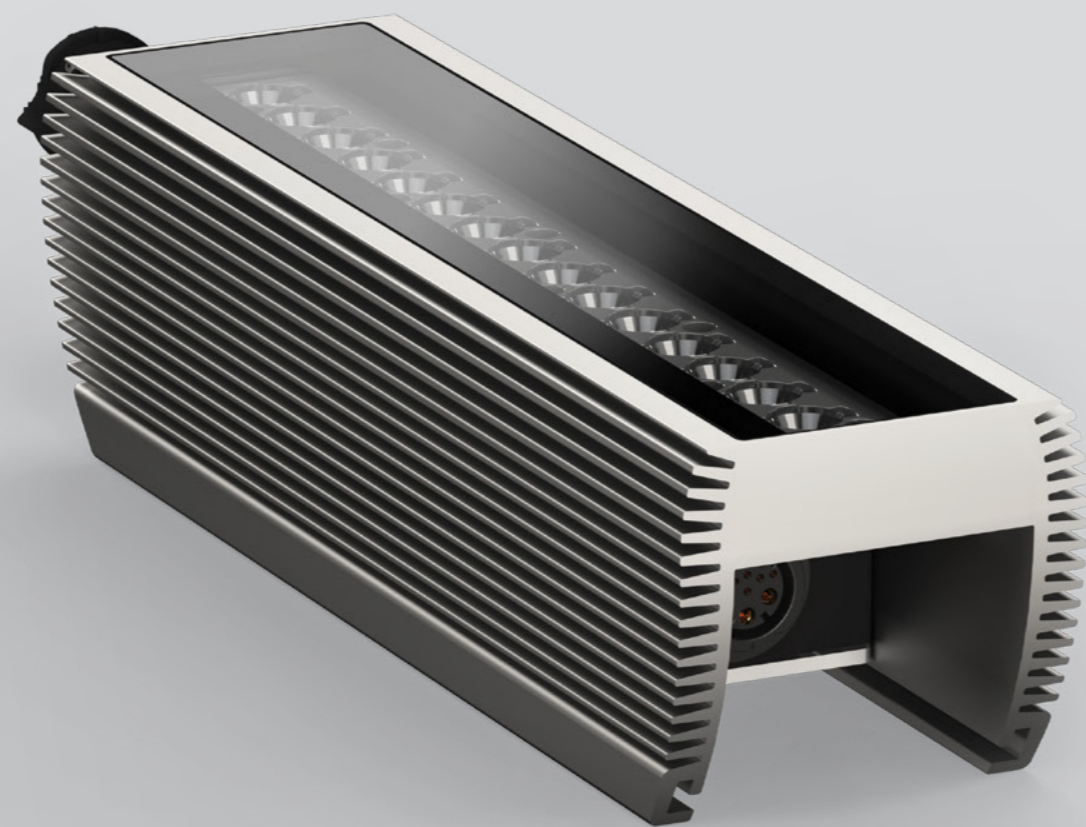
 **SGM**[®]

INTRODUCTION



A POWERFUL NEW EXAMPLE OF SGM ENGINEERING AND DESIGN

The i-1 Linear and i-1 Linear X bring a new level of performance and elegance to facade and grazing applications. Combining a completely new LED drive technology and the highest performing components in an extremely tough and beautiful design, the i-1 Linear is a powerful new tool for the most demanding lighting designs.



MAXIMUM POWER & EFFICIENCY



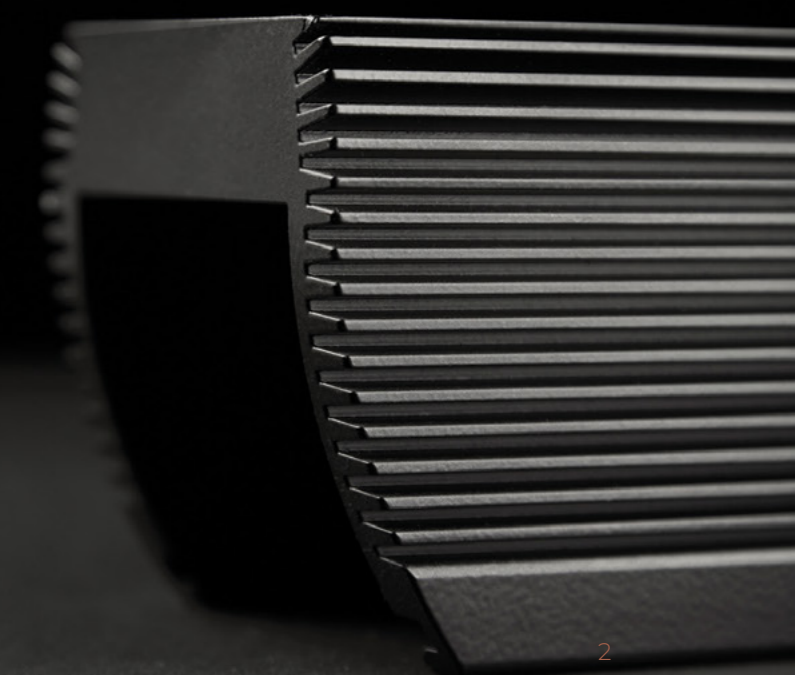
DynaMix™ is a scalable drive design which brings an unprecedented level of output to all new SGM Light products.

LED engines with **DynaMix™** within can utilize the full power capacity of a power source

in any combination of drive channels. What does this mean? Essentially a huge boost in output. Not only in single channels of color, but also in mixed colors.

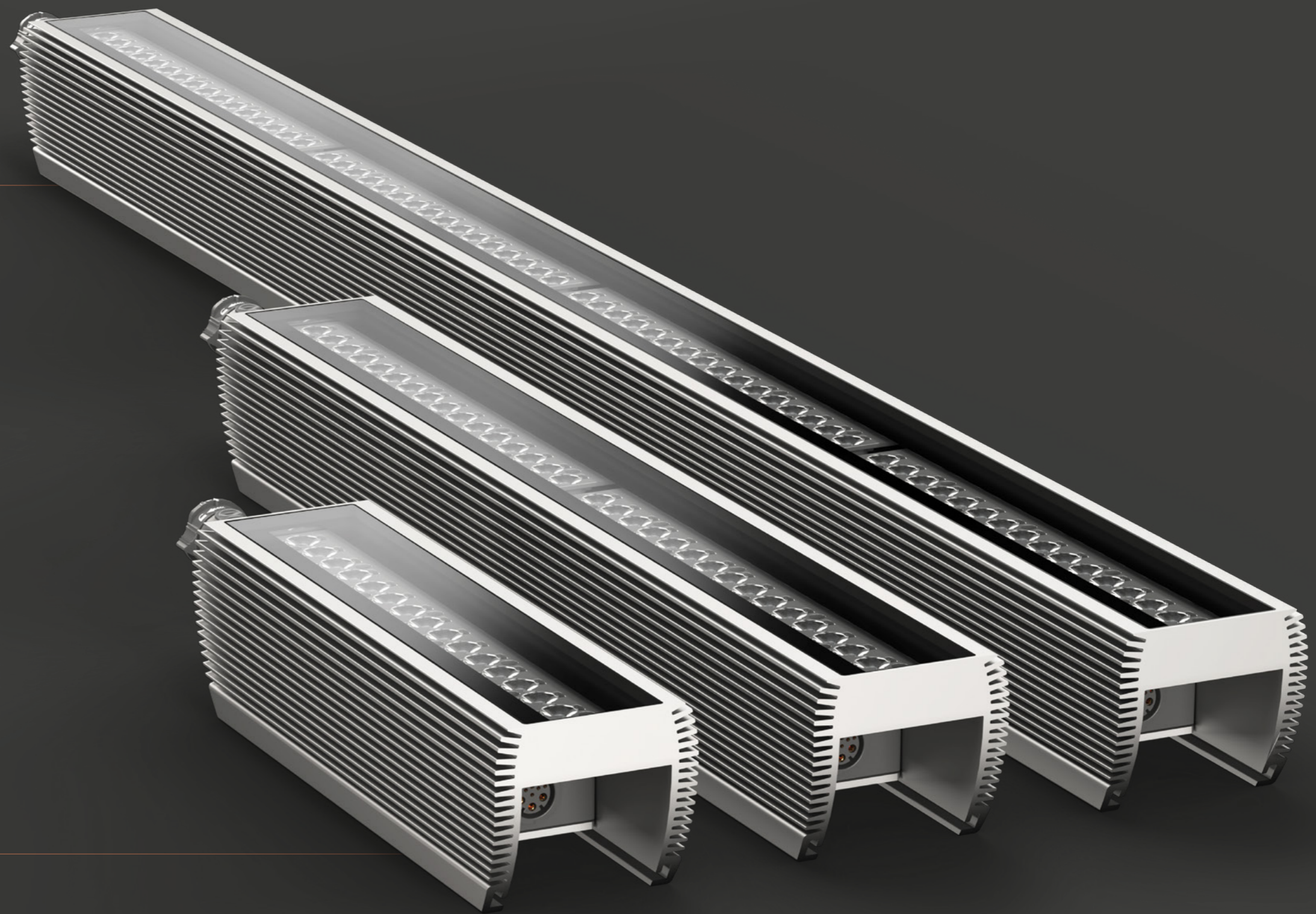
DynaMix™ is made possible by using larger, more powerful LEDs than would normally be chosen at a given power rating. When combined with our active and passive **ThermalDrive™** cooling designs and the industry leading SGM Light calibration method, **TrueColor™**, the result is a completely optimized drive system which fully utilizes the maximum performance of every part of the fixture.

The results are stunning. A small fixture can now be used in place of larger fixtures, saving cost and increasing efficiency. Individual and mixed colors are astonishingly powerful. Incredible performance can now be placed in discrete areas and since all SGM Light products are color calibrated, an SGM Light installation will stay color matched for their entire lifespan.



FEATURES AND SPECIFICATIONS:

- IK09
- IP66
- C5 corrosion resistance
- 3G vibration rating
- 1, 2, 4 foot lengths (305mm, 610mm, 1220mm)
- RGB4K & LED engines
- Over 1500 lumens per linear foot
- DMX/RDM direct control
- 35W / ft max. power with limiting to any level
- Onboard power supplies for long run lengths
- 100-277VAC
- Precise control with glare accessories
- Custom RAL colors



TOUGH IMPACT AND SCRATCH RESISTANT GLASS



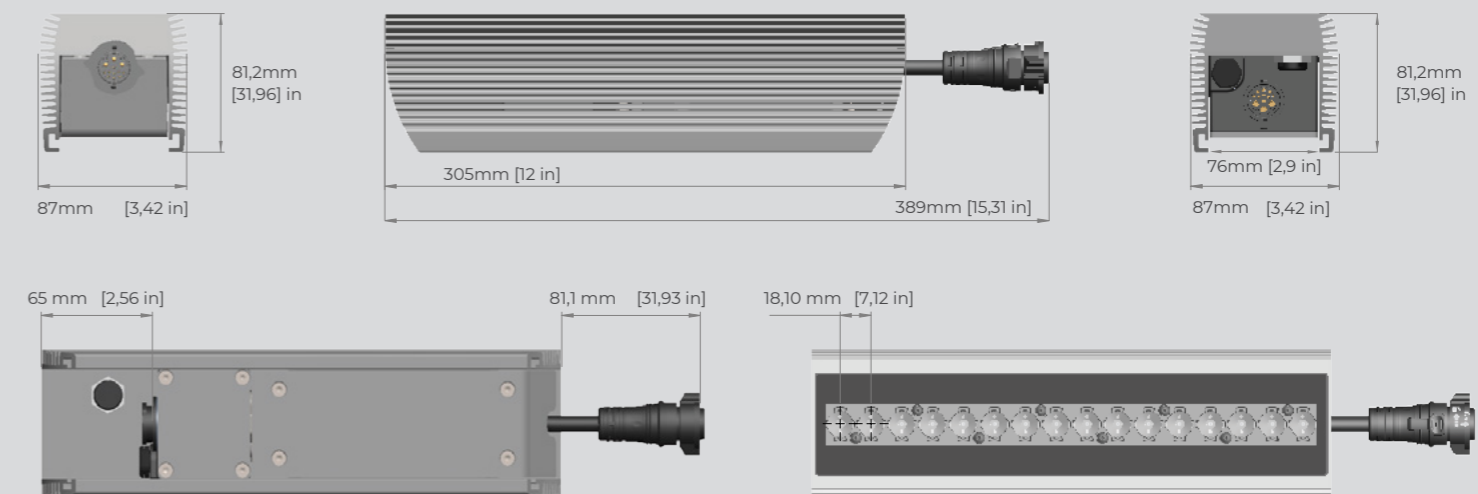
DURABLE IP67 RATED CONNECTORS



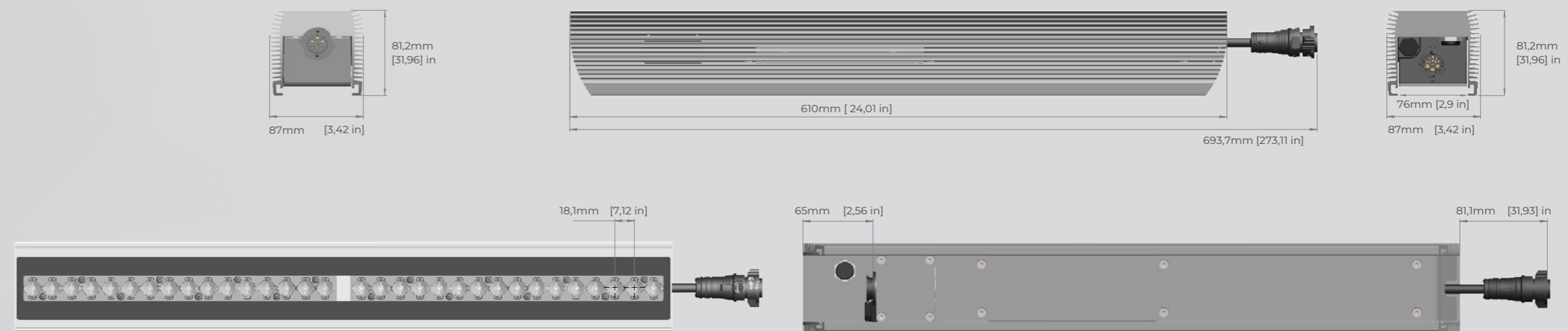
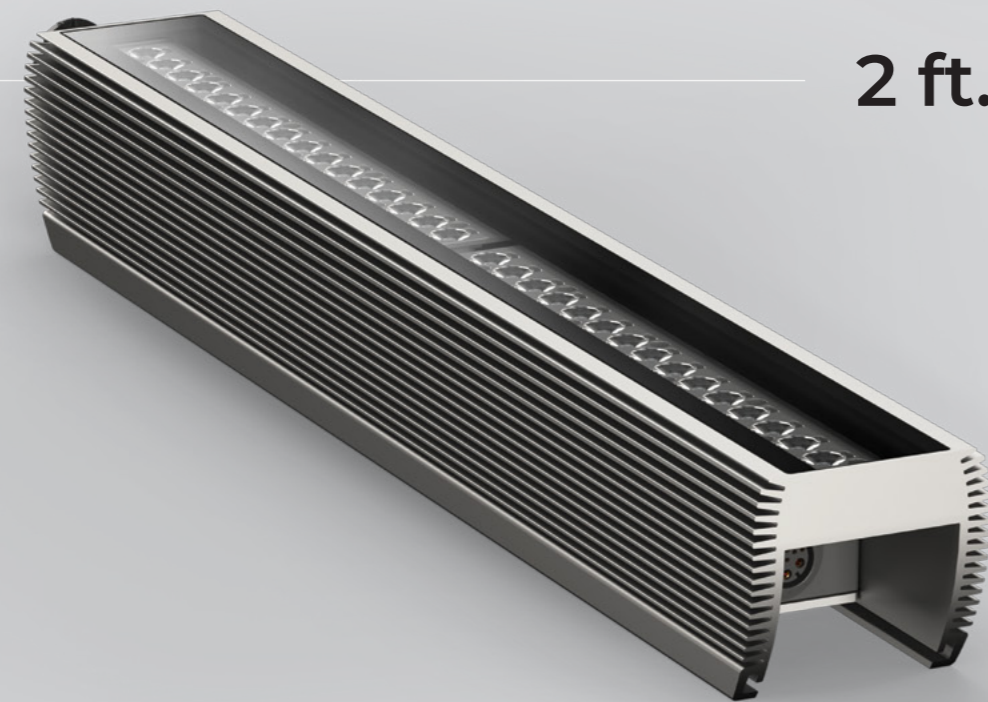
HIDDEN CONNECTION POINTS

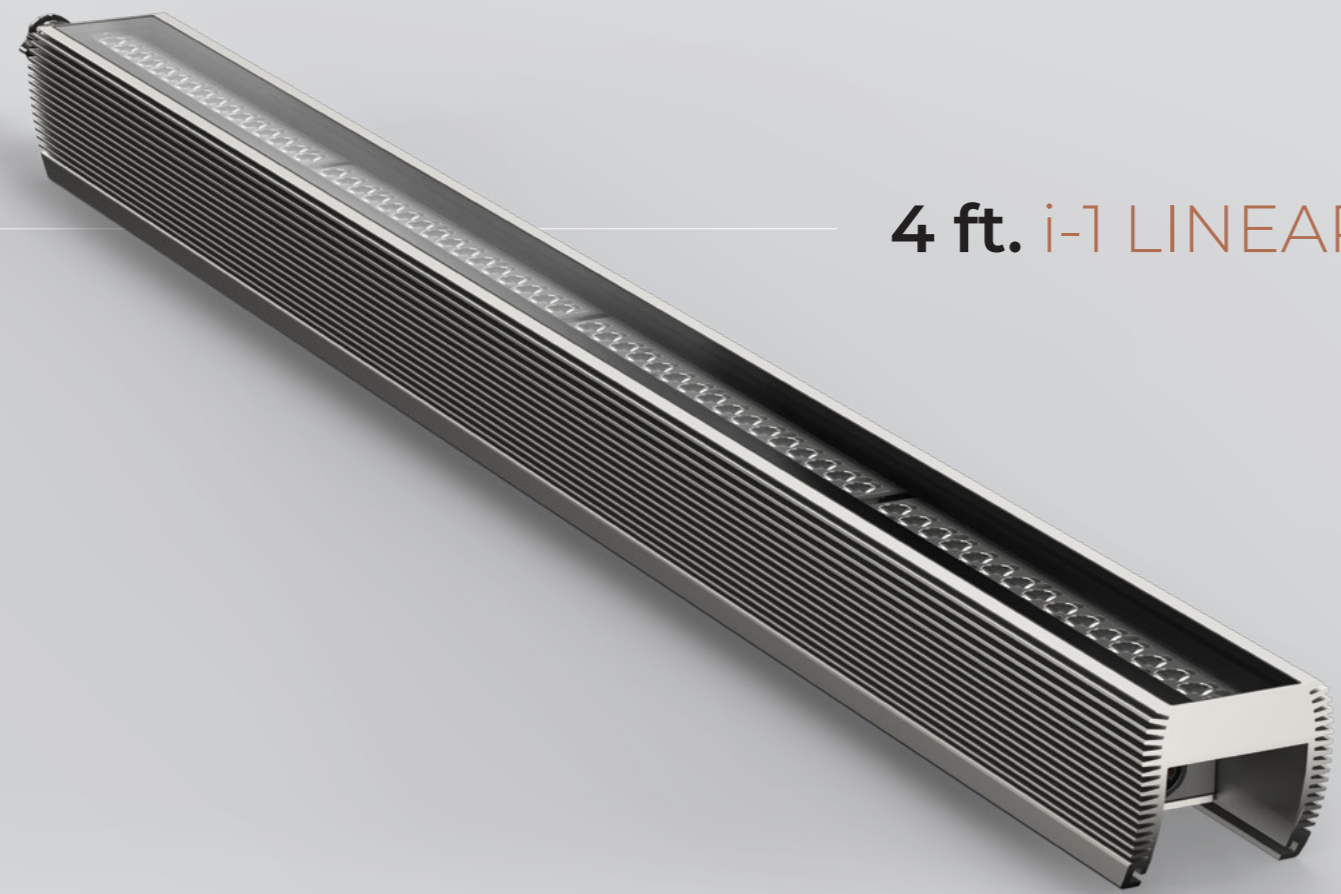
i-1 LINEAR VARIANTS

1 ft. i-1 LINEAR

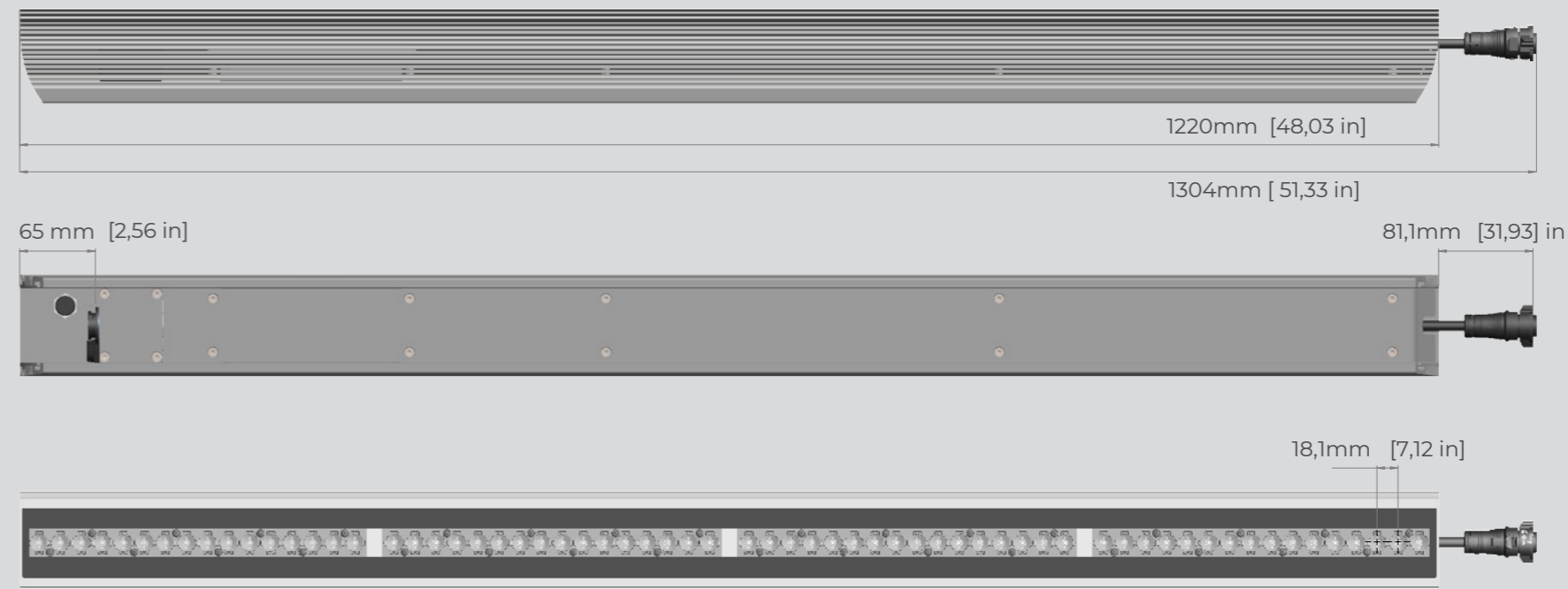
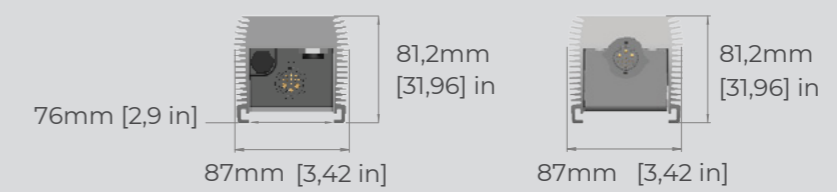


2 ft. i-1 LINEAR





4 ft. i-1 LINEAR



i-1 LINEAR VARIANTS

i-1 LINEAR LIGHTING PACKAGE

| MODEL | I-1 LINEAR 1 FOOT | I-1 LINEAR 2 FOOT | I-1 LINEAR 4 FOOT | I-1 LINEAR X 1 FOOT | I-1 LINEAR X 2 FOOT | I-1 LINEAR X 4 FOOT |
|---|---|----------------------|----------------------|------------------------|------------------------|------------------------|
| ANGLES: BEAM AT 50% AND FIELD AT 10% | 8.5 (16.6); 11 (24); 29 (48); 39x12 (62x26); 38x13 (59x29) with 5 deg asymmetric offset | | | | | |
| LED ARRAYS | RGB (4000K) | | | | | |
| MAXIMUM LUMENS (RGBW, CALIBRATED OUTPUT, LM-79) | TBA | TBA | TBA | 1582 | 3164 | 6328 |
| MEASURED POWER CONSUMPTION, CORRESPONDING TO THE MAX LIGHT OUTPUT | TBA | TBA | TBA | 28 W | 53 W | 109 W |
| MEASURED EFFICIENCY | TBA | TBA | TBA | 56,5 lm /W | 59 lm /W | 58 lm /W |
| MAXIMUM POWER CONSUMPTION | 20W | 40W | 80W | 35 W | 60W | 115W |



— Dynamic Architectural Light —

A LIGHTING PACKAGE FOR FLEXIBLE DESIGN

SGM offers a lighting package that incorporates powerful and efficient solutions. Our goal is to provide dynamic architectural lights and best in class support from design concept, through warranty, and beyond.

The iPQ lighting package consists of luminaires with unique LED engines designed to suit dynamic applications. It is this combination of narrow, medium, and wide-angle engines which delivers bright impactful results no matter how challenging the project.

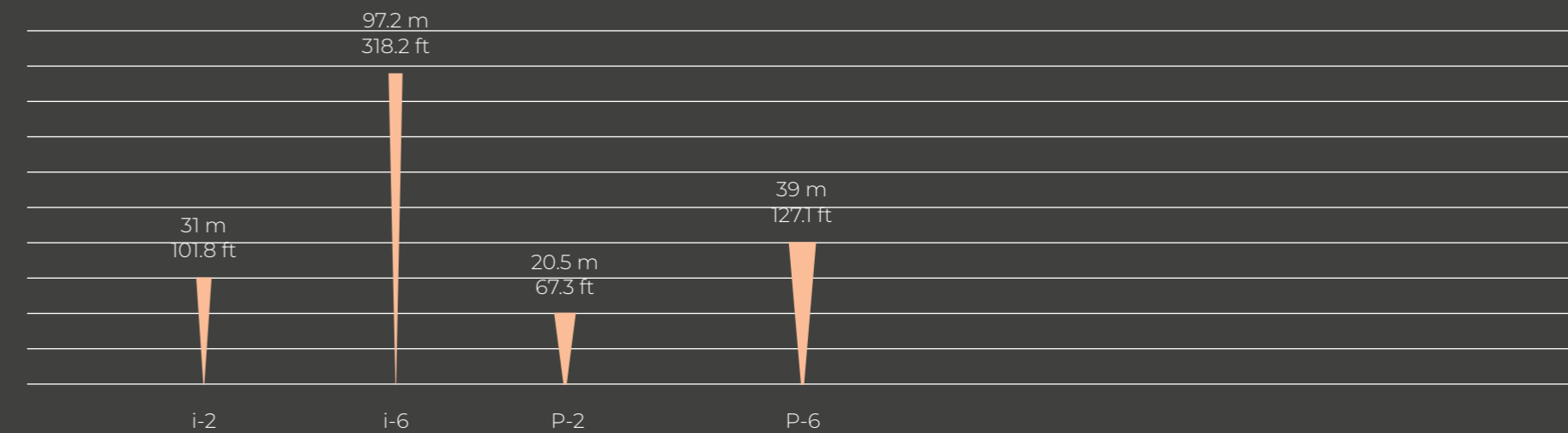
SPECIFIC LUMINAIRES FOR SPECIFIC NEEDS

Experience controllable light over long distances with the strong punch of the i-Series, solve a huge range of lighting challenges with the flexibility of the P-Series, and wash large areas with the smooth color blending of the Q-Series.

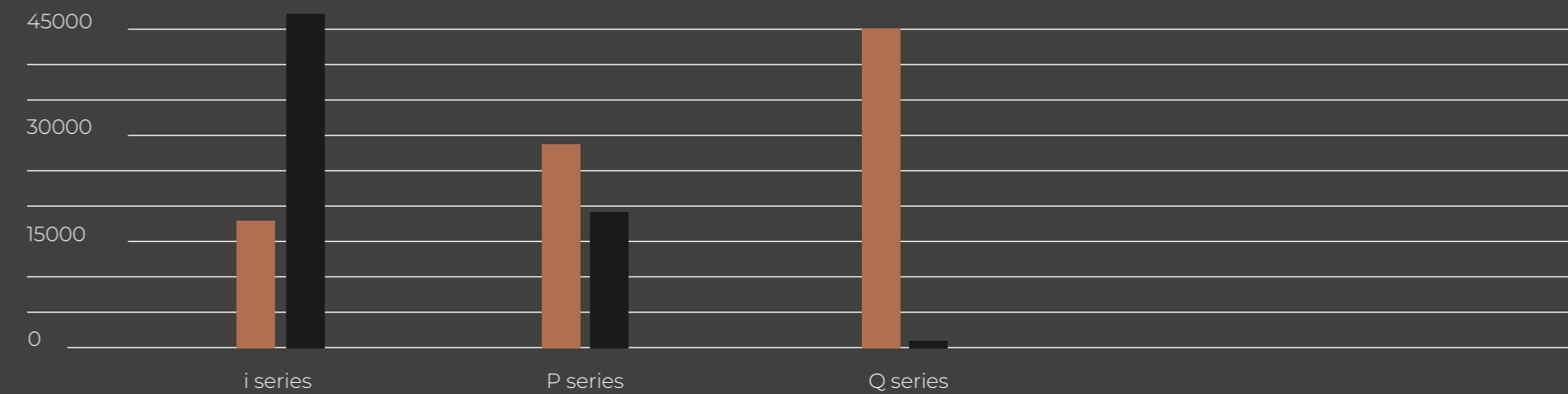
The iPQ system offers:

- Unified color palette
- Proven reliability
- Outstanding light output
- Advanced control

THROW DISTANCE AT 150 LUX / 13.9 FC



LUMINANCE VS. ILLUMINANCE



Max. lumen **

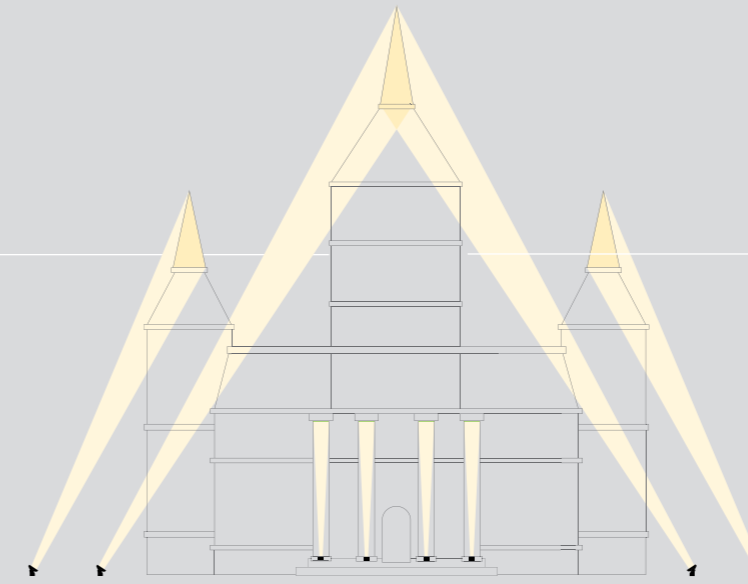
Lux @ 5m (16.4 ft) **

** Measurements comply with IES LM-79-08 (steady-state)

i-SERIES

NARROW BEAM

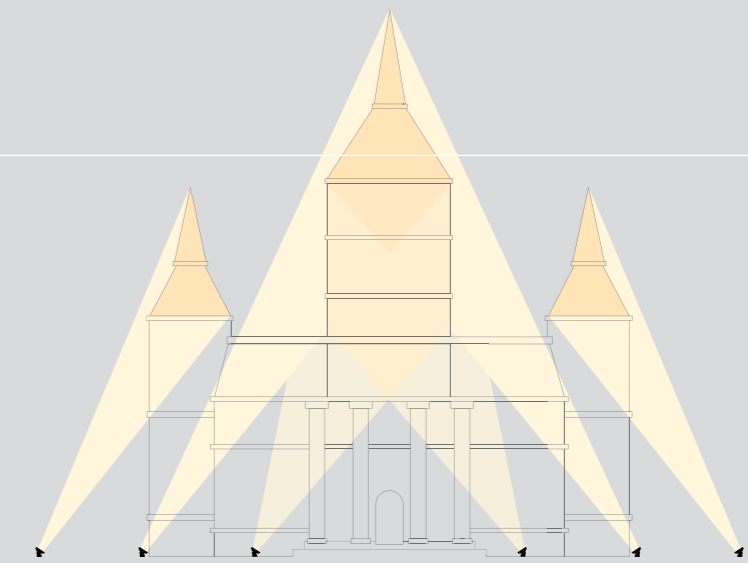
i-series narrow beam fixtures bring long-distance and intensity, delivering incredible saturation with maximum precision for your installation. Designed to deliver a powerful punch for distance and narrow beam grazes, the i-Series is the most precise lighting tool in the iPQ family.



P-SERIES

MEDIUM BEAM

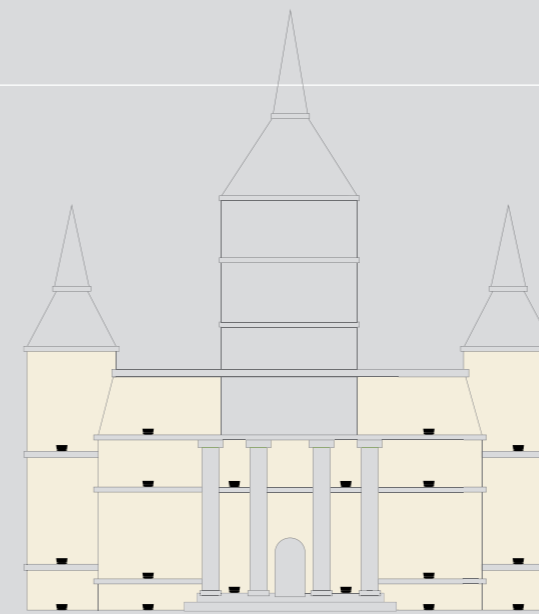
The P series features beam angles which cover a large range between narrow and wide. Utilizing multi-chip LED arrays under a single optic resulting in superior colour mixing and high output, the P-Series is the versatile workhorse of the iPQ wash family.



Q-SERIES

WIDE BEAM

Designed for coverage, the Q-Series is the choice for short-throw lighting. Smooth and with a well-distributed spread, the Q-Series produces even coverage at close range, especially when used in arrays. Offering uniform wall-washing with the highest output in the industry, the Q-Series can provide unmatched intensity.



ORDERING INFORMATION

FIXTURES

| ORDERING NUMBER | PRODUCTS |
|--------------------------------------|--------------------|
| See Website for Ordering Information | 1-ft. i-1 Linear |
| | 2-ft. i-1 Linear |
| | 4-ft. i-1 Linear |
| | 1-ft. i-1 Linear X |
| | 2-ft. i-1 Linear X |
| | 4-ft. i-1 Linear X |

ACCESSORIES Please note that accessories are sold separately.

| ORDERING NUMBER | PRODUCT |
|--------------------------------------|--------------|
| See Website for Ordering Information | Clare shield |
| 83060501 | Louver |

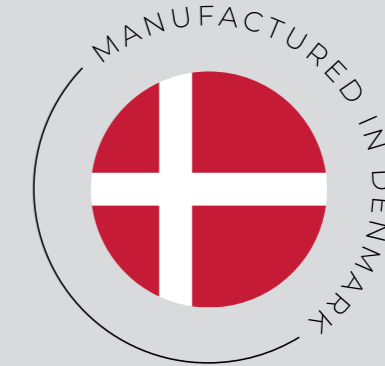
BRACKETS

| ORDERING NUMBER | PRODUCT |
|-----------------|-----------------------------|
| 83060505 | Linear Mounting Clamp |
| 83060505 | Surface mount |
| 83060502 | Short adjustable wall mount |
| 83060504 | Long adjustable wall mount |

CABLES

| ORDERING NUMBER | PRODUCT |
|-----------------|----------------------|
| 83062070 | Extension Cable 1m |
| 83062071 | Extension Cable 2.5m |
| 83062072 | Extension Cable 5m |
| 83062073 | Leader Cable, 2.5m |
| 83062074 | Leader Cable, 10m |

DEVELOPED, MANUFACTURED, AND TESTED IN DENMARK



- Premium user-centered design
- Flexible manufacturing process
- Short reaction time; faster deliveries
- Integrated support (R&D / production / after-sales)



TruColor™
High color rendering with color matching engine



ThermalDrive™
Advanced temperature control



DryTech™
Integrated dehumidification



DynaMix™
Dynamic LED drive engine providing increased output in mixed and individual colors



WWW.SGMLIGHT.COM

IP66



UK
CA

RoHS